
PF08103B

MOS FET Power Amplifier Module
for E-GSM900 and DCS1800 Dual Band Handy Phone

HITACHI

ADE-208-785C (Z)
4th Edition
May 1999

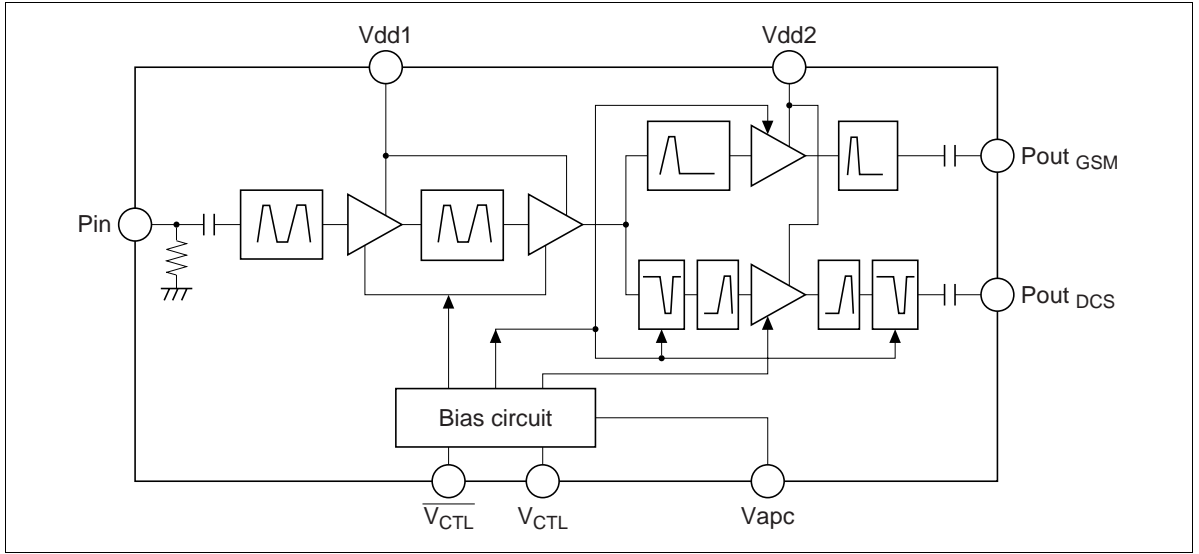
Application

- Dual band amplifier for E-GSM900 (880 to 915 MHz) and DCS1800 (1710 to 1785 MHz).
- For 3.5 V nominal battery use

Features

- 1 in / 2 out dual band amplifier
- Simple external circuit including output matching circuit
- Simple band switching and power control
- High gain 3stage amplifier : +1 dBm input for GSM, +4.5 dBm input for DCS
- Lead less thin & Small package : $11 \times 13.75 \times 1.8$ mm
- High efficiency : 45% Typ at 35.0 dBm for E-GSM
35% Typ at 32.5 dBm for DCS1800

Internal Circuit Block Diagram



Band Select and Power Control

Operating Mode	V_{CTL}	$\overline{V_{CTL}}$	V_{apc}
GSM Tx ON	H	L	Control
DCS Tx ON	L	H	Control
Tx OFF	L	L	< 0.2 V

Current of Control Pin

Control Pin	Equivalent Input Circuit	Control Current
V_{CTL}		2 μ A Max
$\overline{V_{CTL}}$		1 μ A Max
V_{apc}		3 mA Max at 2.2 V

Note: Control current is preliminary value.

Absolute Maximum Ratings ($T_c = 25^\circ\text{C}$)

Item	Symbol	Rating	Unit
Supply voltage	V_{DD}	8.5	V
Supply current	$I_{DD\text{ GSM}}$	3.5	A
	$I_{DD\text{ DCS}}$	2	A
V_{CTL} , $\overline{V_{CTL}}$ voltage	V_{CTL} , $\overline{V_{CTL}}$	4	V
Vapc voltage	Vapc	4	V
Input power	Pin	10	dBm
Operating case temperature	T_c (op)	-30 to +100	$^\circ\text{C}$
Storage temperature	Tstg	-30 to +100	$^\circ\text{C}$
Output power	$P_{out\text{ GSM}}$	5	W
	$P_{out\text{ DCS}}$	3	W

Note: The maximum ratings shall be valid over both the E-GSM-band (880-915 MHz), and the DCS-band (1710-1785 MHz).

Electrical Characteristics for DC ($T_c = 25^\circ\text{C}$)

Item	Symbol	Min	Typ	Max	Unit	Test Condition
Drain cutoff current	Ids	—	—	20	μA	$V_{DD} = 4.7\text{ V}$, $V_{apc} = 0\text{ V}$, $V_{CTL} = 0\text{ V}$, $\overline{V_{CTL}} = 0\text{ V}$
		—	—	300	μA	$V_{DD} = 4.7\text{ V}$, $V_{apc} = 0\text{ V}$, $V_{CTL} = 0\text{ V}$, $\overline{V_{CTL}} = 0\text{ V}$, $T_c = -20\text{ to }+80^\circ\text{C}$
Vapc control current	Iapc	—	—	3	mA	$V_{apc} = 2.2\text{ V}$
V_{CTL} control current	I_{CTL}	—	—	2	μA	$V_{CTL} = 3\text{ V}$
$\overline{V_{CTL}}$ control current	$\overline{I_{CTL}}$	—	—	1	μA	$\overline{V_{CTL}} = 3\text{ V}$

Electrical Characteristics for GSM900 mode (T_c = 25°C)

Test conditions unless otherwise noted:

f = 880 to 915MHz, V_{DD1} = V_{DD2} = 3.5V, Pin = +1dBm, V_{CTL} = 2.0V, $\overline{V_{CTL}}$ = 0.1V, R_g = R_l = 50Ω, T_c = 25°C, Pulse operation with pulse width 577 μs and duty cycle 1:8 shall be used.

Item	Symbol	Min	Typ	Max	Unit	Test Condition
Frequency range	f	880	—	915	MHz	
Control voltage range	V _{apc}	0.2	—	2.2	V	
Total efficiency	η _T	40	45	—	%	Pout _{GSM} = 35dBm,
2nd harmonic distortion	2nd H.D.	—	-45	-35	dBc	V _{apc} = controlled
3rd harmonic distortion	3rd H.D.	—	-45	-35	dBc	
4th~8th harmonic distortion	4th~8th H.D.	—	—	-35	dBc	
Input VSWR	VSWR (in)	—	1.5	3.5	—	
Output power (1)	Pout (1)	35.0	36.0	—	dBm	V _{apc} = 2.2V
Output power (2)	Pout (2)	33.5	34.2	—	dBm	V _{DD} = 3.0V, V _{apc} = 2.2V, T _c = +85°C
Isolation	—	—	-45	-37	dBm	V _{apc} = 0.2 V
Isolation at DCS RF-output when GSM is active	—	—	-30	-20	dBm	Pout _{GSM} = 35dBm (GSM mode) Measured at f = 1760 to 1830MHz, Pin(GSM) = +1dBm
Switching time	t _r , t _f	—	1	2	μs	Pout _{GSM} = 0 to 35.0dBm
Stability	—	No parasitic oscillation			—	V _{DD} = 3 to 5.1V, Pout ≤ 35.0dBm, V _{apc} _{GSM} ≤ 2.2V GSM pulse. R _g = 50Ω, T _c = 25°C, Output VSWR = 6 : 1 All phases
Load VSWR tolerance	—	No degradation			—	V _{DD} = 3 to 5.1V, Pout _{GSM} ≤ 35.0dBm, V _{apc} _{GSM} ≤ 2.2V GSM pulse. R _g = 50Ω, t = 20sec., T _c = 25°C, Output VSWR = 10 : 1 All phases
Noise power	Pnoise1	—	—	-80	dBm	f ₀ = 915MHz, f _{rx} = f ₀ +10MHz Pout _{GSM} = 35dBm, RES BW = 100kHz
	Pnoise2	—	—	-84	dBm	f ₀ = 915MHz, f _{rx} = f ₀ +20MHz Pout _{GSM} = 35dBm, RES BW = 100kHz
Slope Pout/V _{apc}	—	—	—	200	dB/V	Pout _{GSM} = 0 to 35dBm
Phase shift	—	—	—	20	deg/ dB	Pout _{GSM} = 34 to 35dBm
Total conversion gain1	—	—	—	-5	dB	f ₀ = 915MHz, (Pin = +1dBm) Other sig. = 895MHz (Pin = -40dBc) Pout _{GSM} = 33.5dBm
Total conversion gain2	—	—	—	-5	dB	f ₀ = 915MHz, (Pin = +1dBm) Other sig. = 905MHz (Pin = -40dBc) Pout _{GSM} = 33.5dBm
AM output	—	—	—	20	%	Pout _{GSM} = +5dBm, 4%AM modulation at input 50kHz modulation frequency

Electrical Characteristics for DCS1800 mode (Tc = 25°C)

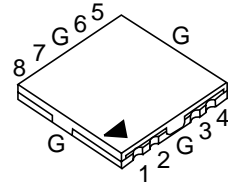
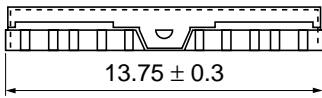
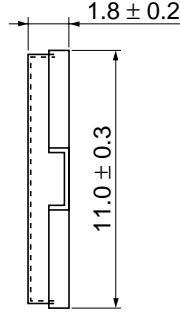
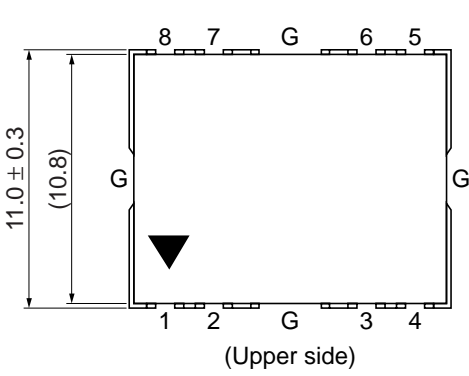
Test conditions unless otherwise noted:

f = 1710 to 1785MHz, V_{DD1} = V_{DD2} = 3.5V, Pin = +4.5dBm, V_{CTL} = 0.1V, $\overline{V_{CTL}} = 2.0V$, R_g = R_l = 50Ω, Tc = 25°C, Pulse operation with pulse width 577 μs and duty cycle 1:8 shall be used.

Item	Symbol	Min	Typ	Max	Unit	Test Condition
Frequency range	f	1710	—	1785	MHz	
Control voltage range	Vapc	0.2	—	2.2	V	
Total efficiency	η _T	30	35	—	%	Pout _{DCS} = 32.5dBm,
2nd harmonic distortion	2nd H.D.	—	-45	-35	dBc	Vapc = controlled
3rd harmonic distortion	3rd H.D.	—	-45	-35	dBc	
4th~8th harmonic distortion	4th~8th H.D.	—	—	-35	dBc	
Input VSWR	VSWR (in)	—	3	4	—	
Output power (1)	Pout (1)	32.5	33	—	dBm	Vapc = 2.2V
Output power (2)	Pout (2)	30.8	31.3	—	dBm	V _{DD} = 3.1V, Vapc = 2.2V, Tc = +85°C
Isolation	—	—	-42	-37	dBm	Vapc = 0.2V
Switching time	t _r , t _f	—	1	2	μs	Pout _{DCS} = 0 to 32.5dBm
Stability	—	No parasitic oscillation			—	V _{DD} = 3.1 to 5.1V, Pout _{DCS} ≤ 32.5dBm, Vapc ≤ 2.2V DCS pulse. R _g = 50Ω, Tc = 25°C, Output VSWR = 6 : 1 All phases
Load VSWR tolerance	—	No degradation			—	V _{DD} = 3.1 to 5.1V, Pout _{DCS} ≤ 32.5dBm, Vapc ≤ 2.2V DCS pulse. R _g = 50Ω, t = 20sec., Tc = 25°C, Output VSWR = 10 : 1 All phases
Noise power	Pnoise	—	—	-77	dBm	f ₀ = 1785MHz, f _{rx} = f ₀ + 20MHz, Pout _{DCS} = 32.5dBm, RES BW = 100kHz
Slope Pout/Vapc	—	—	—	200	dB/V	Pout _{DCS} = 0 to 32dBm
Phase shift	—	—	—	20	deg/ dB	Pout _{DCS} = 31 to 32dBm
Total conversion gain	—	—	—	-5	dB	f ₀ = 1785MHz, (Pin = +4.5dBm) Other sig. = 1765 MHz (-40dBc) Pout _{DCS} = 31dBm
AM output	—	—	—	20	%	Pout _{DCS} = 0dBm, 4%AM modulation at input 50kHz modulation frequency

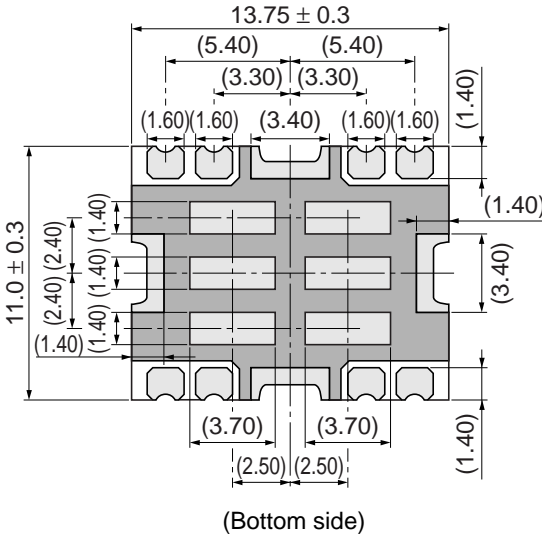
Package Dimensions

Unit: mm



Pin arrangement

- 1 : $\overline{V_{CTL}}$
- 2 : V_{CTL}
- 3 : Vdd2
- 4 : Pout_{GSM}
- 5 : Pout_{DCS}
- 6 : Vdd1
- 7 : Vapc
- 8 : Pin
- G : GND



Remark:

Coplanarity of bottom side of terminals are less than 0 ± 0.1 mm.

Hitachi Code	RF-O
JEDEC	—
EIAJ	—
Weight (reference value)	—

Cautions

1. Hitachi neither warrants nor grants licenses of any rights of Hitachi's or any third party's patent, copyright, trademark, or other intellectual property rights for information contained in this document. Hitachi bears no responsibility for problems that may arise with third party's rights, including intellectual property rights, in connection with use of the information contained in this document.
2. Products and product specifications may be subject to change without notice. Confirm that you have received the latest product standards or specifications before final design, purchase or use.
3. Hitachi makes every attempt to ensure that its products are of high quality and reliability. However, contact Hitachi's sales office before using the product in an application that demands especially high quality and reliability or where its failure or malfunction may directly threaten human life or cause risk of bodily injury, such as aerospace, aeronautics, nuclear power, combustion control, transportation, traffic, safety equipment or medical equipment for life support.
4. Design your application so that the product is used within the ranges guaranteed by Hitachi particularly for maximum rating, operating supply voltage range, heat radiation characteristics, installation conditions and other characteristics. Hitachi bears no responsibility for failure or damage when used beyond the guaranteed ranges. Even within the guaranteed ranges, consider normally foreseeable failure rates or failure modes in semiconductor devices and employ systemic measures such as fail-safes, so that the equipment incorporating Hitachi product does not cause bodily injury, fire or other consequential damage due to operation of the Hitachi product.
5. This product is not designed to be radiation resistant.
6. No one is permitted to reproduce or duplicate, in any form, the whole or part of this document without written approval from Hitachi.
7. Contact Hitachi's sales office for any questions regarding this document or Hitachi semiconductor products.

HITACHI

Hitachi, Ltd.

Semiconductor & Integrated Circuits.
Nippon Bldg., 2-6-2, Ohte-machi, Chiyoda-ku, Tokyo 100-0004, Japan
Tel: Tokyo (03) 3270-2111 Fax: (03) 3270-5109

URL North America : <http://semiconductor.hitachi.com/>
 Europe : <http://www.hitachi-eu.com/hel/ecg>
 Asia (Singapore) : <http://www.has.hitachi.com.sg/grp3/sicd/index.htm>
 Asia (Taiwan) : http://www.hitachi.com.tw/E/Product/SICD_Frame.htm
 Asia (HongKong) : <http://www.hitachi.com.hk/eng/bo/grp3/index.htm>
 Japan : <http://www.hitachi.co.jp/Sicd/indx.htm>

For further information write to:

Hitachi Semiconductor
(America) Inc.
179 East Tasman Drive,
San Jose, CA 95134
Tel: <1> (408) 433-1990
Fax: <1> (408) 433-0223

Hitachi Europe GmbH
Electronic components Group
Dornacher Straße 3
D-85622 Feldkirchen, Munich
Germany
Tel: <49> (89) 9 9180-0
Fax: <49> (89) 9 29 30 00

Hitachi Europe Ltd.
Electronic Components Group.
Whitebrook Park
Lower Cookham Road
Maidenhead
Berkshire SL6 8YA, United Kingdom
Tel: <44> (1628) 585000
Fax: <44> (1628) 778322

Hitachi Asia Pte. Ltd.
16 Collyer Quay #20-00
Hitachi Tower
Singapore 049318
Tel: 535-2100
Fax: 535-1533

Hitachi Asia Ltd.
Taipei Branch Office
3F, Hung Kuo Building, No.167,
Tun-Hwa North Road, Taipei (105)
Tel: <886> (2) 2718-3666
Fax: <886> (2) 2718-8180

Hitachi Asia (Hong Kong) Ltd.
Group III (Electronic Components)
7/F., North Tower, World Finance Centre,
Harbour City, Canton Road, Tsim Sha Tsui,
Kowloon, Hong Kong
Tel: <852> (2) 735 9218
Fax: <852> (2) 730 0281
Telex: 40815 HITEC HX

Copyright ' Hitachi, Ltd., 1999. All rights reserved. Printed in Japan.

HITACHI