

CDMA Cellular Phone Jammer

Michael D. Kaprow
Justin R. Antes
Adam Pace

EE413 - Communication Electronics
Instructor: Pao-Lo Liu
TA: Saurav K. Bandyopadhyay

Project Overview

Project Goal

The goal of this project is to create a device to produce cellular interference preventing the use of a cell phone

Product Target

The system will be targeted to provide

Acoustical isolation

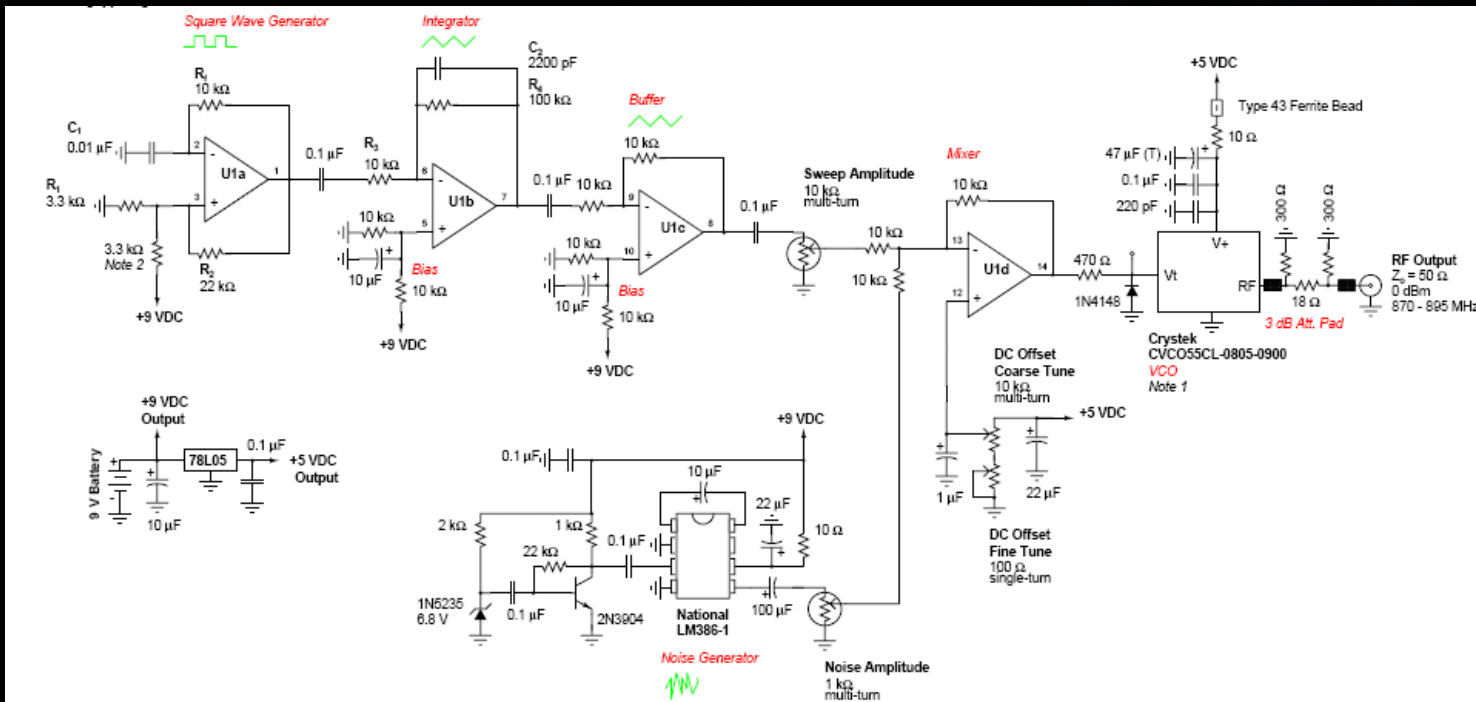
Protect Against Breach of Security

Homeland Security

Major System Components

- VCO (Voltage Controlled Oscillator)
1650 - 2050 MHz
- TL074 Quad Opamp
- 78L05 Voltage Regulator
- 9 Volt Power Supply

Circuit Diagram



Time Line

Weeks:	1	2	3	4	5	6	7	8
1.0 Design and Resource Gathering								
1.1 Find solution to problem								
1.2 Develop circuit diagram								
1.3 Select components								
2.0 Construct Project								
2.1 Build circuit								
2.2 Test Intermediate Build								
2.3 Find Build								
3.0 Prototype Design and Evaluation								
3.1 Test final build								
3.2 Documentation/Instructions								
3.3 Demo Product								

